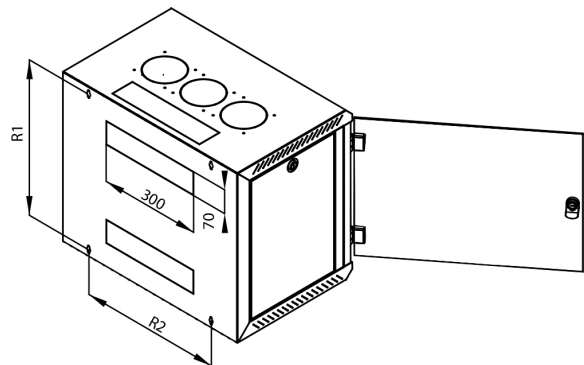
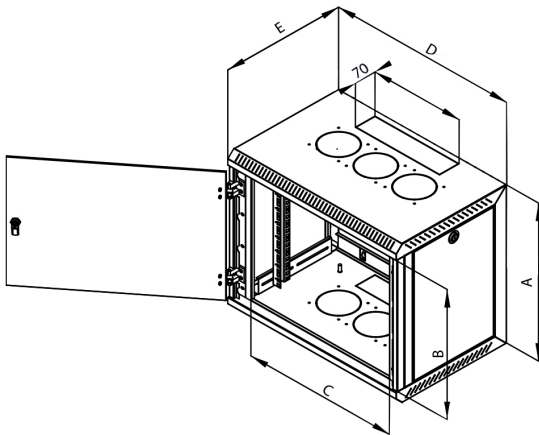


One-sectioned, 19" wall-mounted cabinets RUA



features

- welded construction with IP30 protection
- removable and lockable side panels enable an easy access to the installed devices
- hardened smoked glass door (standard)
- solid steel or perforated door (air permeability 80%) available upon request
- front and rear vertical rails freely adjustable in any depth of the cabinet
- frame of the cabinet and all removable parts are connected with earthing cables
- cable openings covered with breakout-type blanking panels located at the top, bottom and rear part of the cabinet
- 6 breakout-type blanking panels (3 in the top, 3 in the bottom) for the installation of fan units RAX-CH-X07-X9 and RAC-CH-X26-X1 (page 98)
- protective blanking panel with a brush to seal the cabinet opening against dust penetration (1 pc)
- set of M6 screws and captive nuts (8 pcs)



Front door RUA-xx-xxx-xAY-A1	A - hardened smoked glass door (standard) C - solid steel door L - perforated door
Color RUA-xx-xxx-xAY-A1	C - gray RAL7035 (standard) B - black RAL9005
Surface	structured, matt

depth 395 mm, width 600 mm

		A (mm)	B (mm)	C (mm)	D (mm)	E (mm)	weight (kg)	capacity (kg)
6U	P/N: RUA-06-AS4-CAY-A1	370	265	530	600	395	14,2	30
9U	P/N: RUA-09-AS4-CAY-A1	500	395	530	600	395	17,3	30
12U	P/N: RUA-12-AS4-CAY-A1	635	530	530	600	395	20,3	30
15U	P/N: RUA-15-AS4-CAY-A1	770	665	530	600	395	22,0	30
18U	P/N: RUA-18-AS4-CAY-A1	900	795	530	600	395	26,6	30

depth 495 mm, width 600 mm

		A (mm)	B (mm)	C (mm)	D (mm)	E (mm)	weight (kg)	capacity (kg)
6U	P/N: RUA-06-AS5-CAY-A1	370	265	530	600	495	16,1	30
9U	P/N: RUA-09-AS5-CAY-A1	500	395	530	600	495	19,5	30
12U	P/N: RUA-12-AS5-CAY-A1	635	530	530	600	495	21,7	30
15U	P/N: RUA-15-AS5-CAY-A1	770	665	530	600	495	26,0	30
18U	P/N: RUA-18-AS5-CAY-A1	900	795	530	600	495	29,1	30

depth 595 mm, width 600 mm

		A (mm)	B (mm)	C (mm)	D (mm)	E (mm)	weight (kg)	capacity (kg)
6U	P/N: RUA-06-AS6-CAY-A1	370	265	530	600	595	18,9	30
9U	P/N: RUA-09-AS6-CAY-A1	500	395	530	600	595	21,3	30
12U	P/N: RUA-12-AS6-CAY-A1	635	530	530	600	595	26,0	30
15U	P/N: RUA-15-AS6-CAY-A1	770	665	530	600	595	28,5	30