

DIN rail keystone holder

P/N: HN-DIN-C6AHD

P/N: HN-DIN-C6AS

P/N: HN-DIN-CEAS

P/N: HN-DIN-C6S

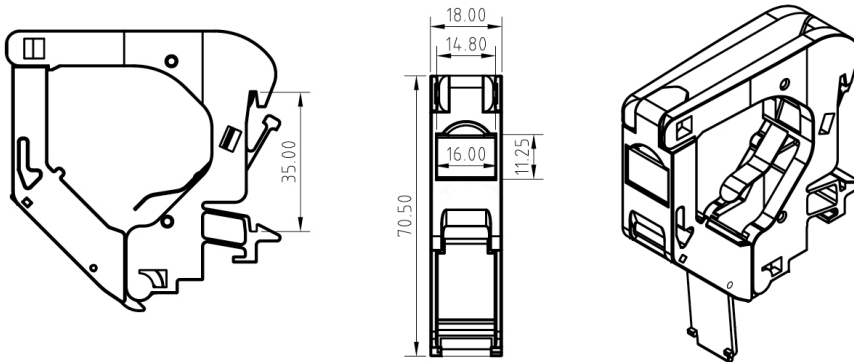
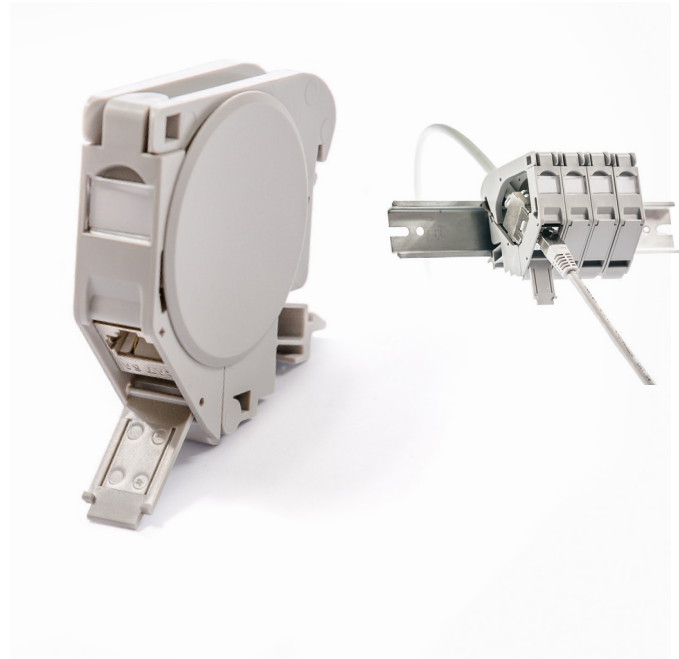
P/N: HN-DIN-C6U

P/N: HN-DIN-C5ES

P/N: HN-DIN-C5EU

Features

- keystone jack included
- designed for DIN rails in residential and industrial electric distribution (home networking and industrial Ethernet)
- protected with a dust-proof shutter



Mechanical properties

DIN rail dimensions	hight	35 mm
	depth	7,5 mm
Color		gray RAL 9075
Surface		matt